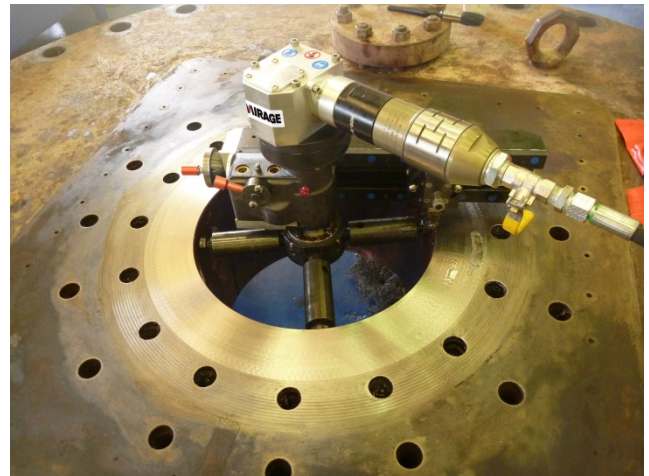
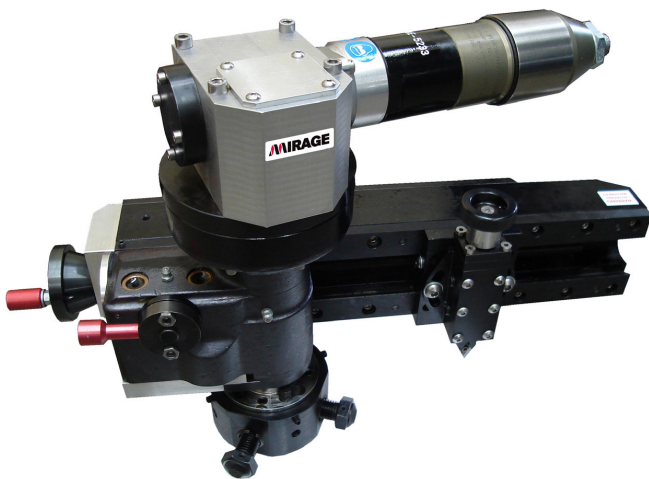


2 – 24" (50 – 610mm)

An internally mounted lightweight yet strong flange facing machine for all types of flange facing, seal groove machining, weld prep and counter boring.



- Helical drive for a superior finish
- Swivel tool post – for a wider range of machining operations
- Geared continuous groove facing feeds, for gramophone finish (ASME Standard)
- Quick set independent base, minimising set up time

The MM610i machine is supplied complete with toolkit including tools and inserts, air filter lubricator and hose connection, all required mounting base and extensions, storage / shipping box, CE certificate, packing list and manual.

Technical Details

Minimum Facing Diameter	50mm	2"
Maximum Facing Diameter	610mm	24"
Minimum Clamping Diameter	50mm	2"
Maximum Clamping Diameter	508mm	20"
Tool Post Travel	50mm	1.6"
R.P.M	Min: 0	Max: 42
Drive – Pneumatic @ 90 P.S.I (6 bar)	0.8Kw	1.1Hp
Air Consumption / Supply Required	1.2 m ³ /min	42 S.C.F.M

Facing Feed Rates

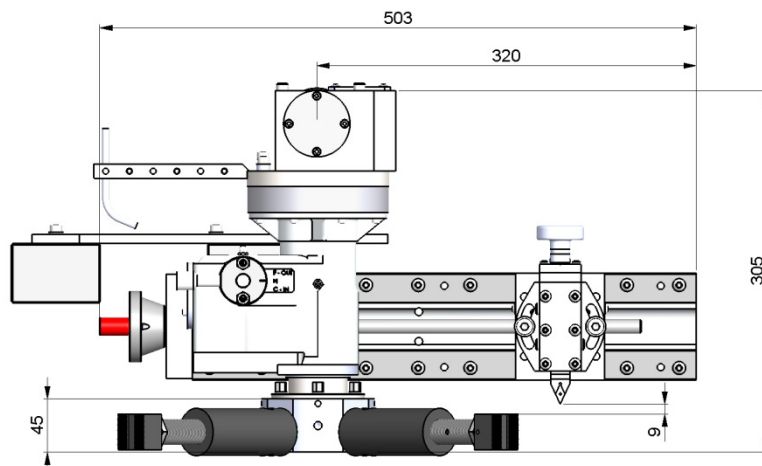
	mm/rev	inches/rev	grooves per cm	grooves per inch
1.00mm Pitch Lead Screw (optional)				
Fine	0.114	0.004	88	224
Coarse	0.455	0.018	22	56
1.25mm Pitch Lead Screw (standard)				
Fine	0.142	0.006	70	179
Coarse	0.568	0.022	18	45
1.75mm Pitch Lead Screw (standard)				
Fine	0.199	0.008	50	128
Coarse	0.795	0.031	13	32

Weights

Machine Weight	45kg	99lbs
Shipping Weight	62kg	136lbs

Shipping Dimensions

Length		Width		Height	
mm	inches	mm	inches	mm	inches
670	26	450	18	400	16



Optional Accessories



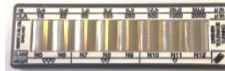
MM1000i-SK
2 years Recommended
Spares Kit



PP1
11 KW 3 phase power pack -
56 L.P.M up to 100 BAR



RBC0130
Surface Comparator – Multi
Discipline



RBC0120
Surface Comparator

MM610i-4
Hydraulic Conversion Kit

MM250i-3
2 - 12" Surfacing Arm

MM500i-14
Journal Turning Attachment
– Striker Feed

MM500i-11
1.5" Collet Base Assembly

MM610i-LRK
Lens Ring Machining Kit