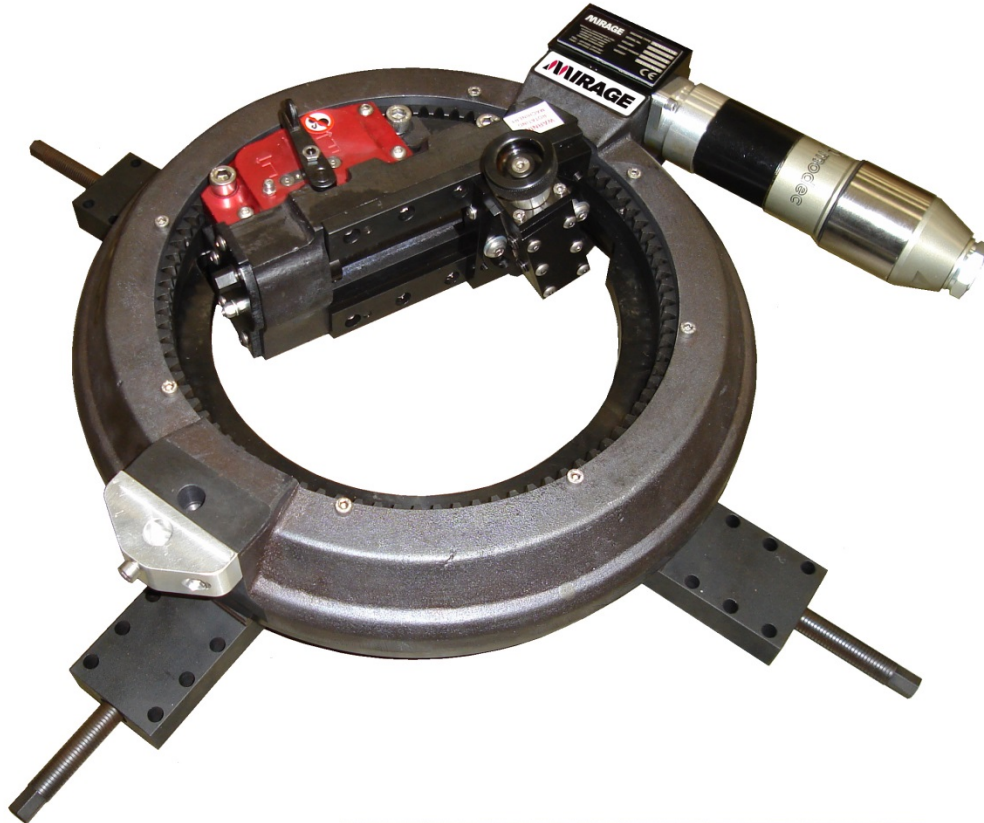


0 – 12" (0 – 305mm)

An externally mounted flange facing machine for all types of flange facings, seal groove machining, weld preparation and counter boring.



- **Lightweight, precision construction to optimise on-site performance**
- **Preloaded cross roller drive, ensuring robust, repeatable machining**
- **Geared continuous groove facing feeds for gramophone finish (ASME Standard)**
- **Swivel tool post for groove details included; no requirement for separate accessories**

The MM300e machine is supplied complete with toolkit including tools and inserts, air filter lubricator and hose connection, all required mounting feet and extensions, storage / shipping box, CE certificate, packing list and manual.

## Technical Details

Minimum Facing Diameter	0mm	0"
Maximum Facing Diameter	305mm	12"
Minimum Clamping Diameter	70mm	2.75"
Maximum Clamping Diameter	305mm	12"
Tool Post Travel	50mm	2"
R.P.M	Min: 0	Max: 27
Drive – Pneumatic @ 90 P.S.I (6 bar)	0.8 Kw	1.1Hp
Air Consumption / Supply Required	1.6 m <sup>3</sup> /min	56.5 S.C.F.M

## Facing Feed Rates

	mm/rev	inches/rev	grooves per cm	grooves per inch	mm/rev	inches/rev	grooves per cm	grooves per inch
0.75mm pitch lead screw (standard)					1.00mm pitch lead screw (standard)			
Fine	0.134	0.005	75	190	0.180	0.007	56	141
Coarse	0.537	0.021	19	47	0.720	0.028	14	35
1.25mm pitch lead screw (optional)					1.75mm pitch lead screw (optional)			
Fine	0.220	0.009	45	115	0.300	0.012	33	85
Coarse	0.900	0.035	11	28	1.250	0.050	8	20

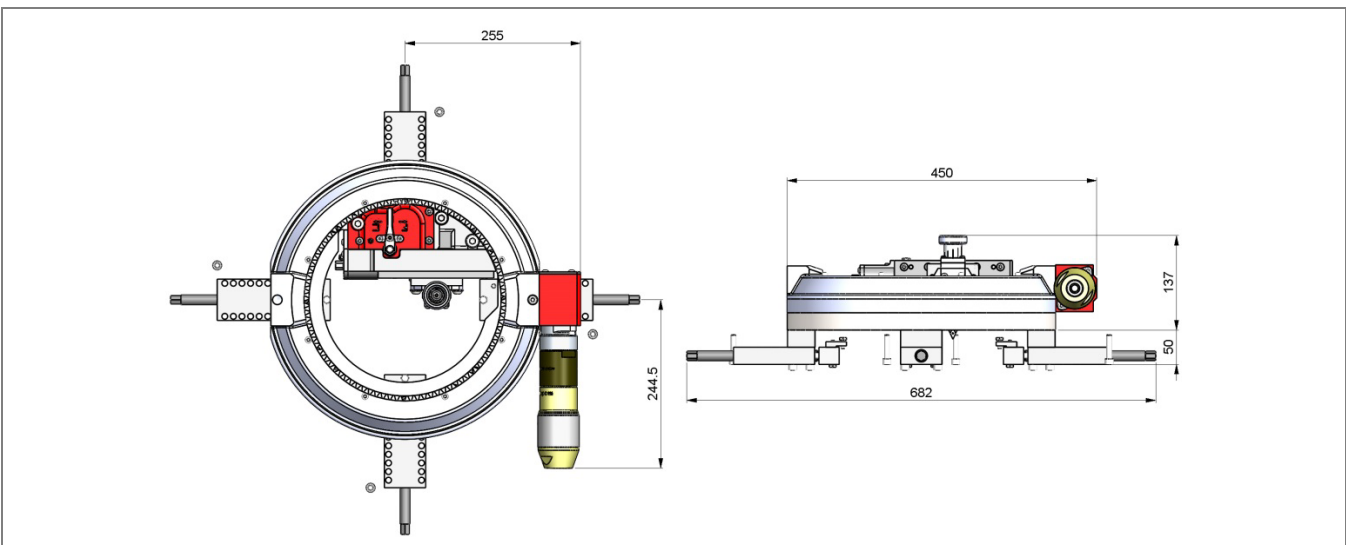
Other options available - enquire for further details.

## Weights

Machine Weight	45kg	119lbs
Shipping Weight	90kg	198lbs

## Shipping Dimensions

Length		Width		Height	
mm	inches	mm	inches	mm	inches
640	25	600	24	450	18



## Optional Accessories

 <p><b>RTJM600</b> RTJ Measuring Kit</p>	 <p><b>MM300e-12</b> Boring Bar Saddle and Feed (180 – 360mm diameter) – 12" stroke</p>
 <p><b>PP1</b> 11 KW 3 Phase Power Pack - 56 L.P.M up to 100 BAR</p>	 <p><b>MM300e-SK</b> 2 years Recommended Spares Kit</p>
 <p><b>MM300eCF-3</b> Compact Flange Machining Kit D Section</p>	 <p><b>RBC0130</b> Surface Comparator – Multi Discipline</p>
 <p><b>RBC0120</b> Surface Comparator</p>	<p><b>MM300e-15</b> Hydraulic Drive Conversion Kit</p>
<p><b>MM300e-LRK</b> Lens Ring Machining Kit</p>	