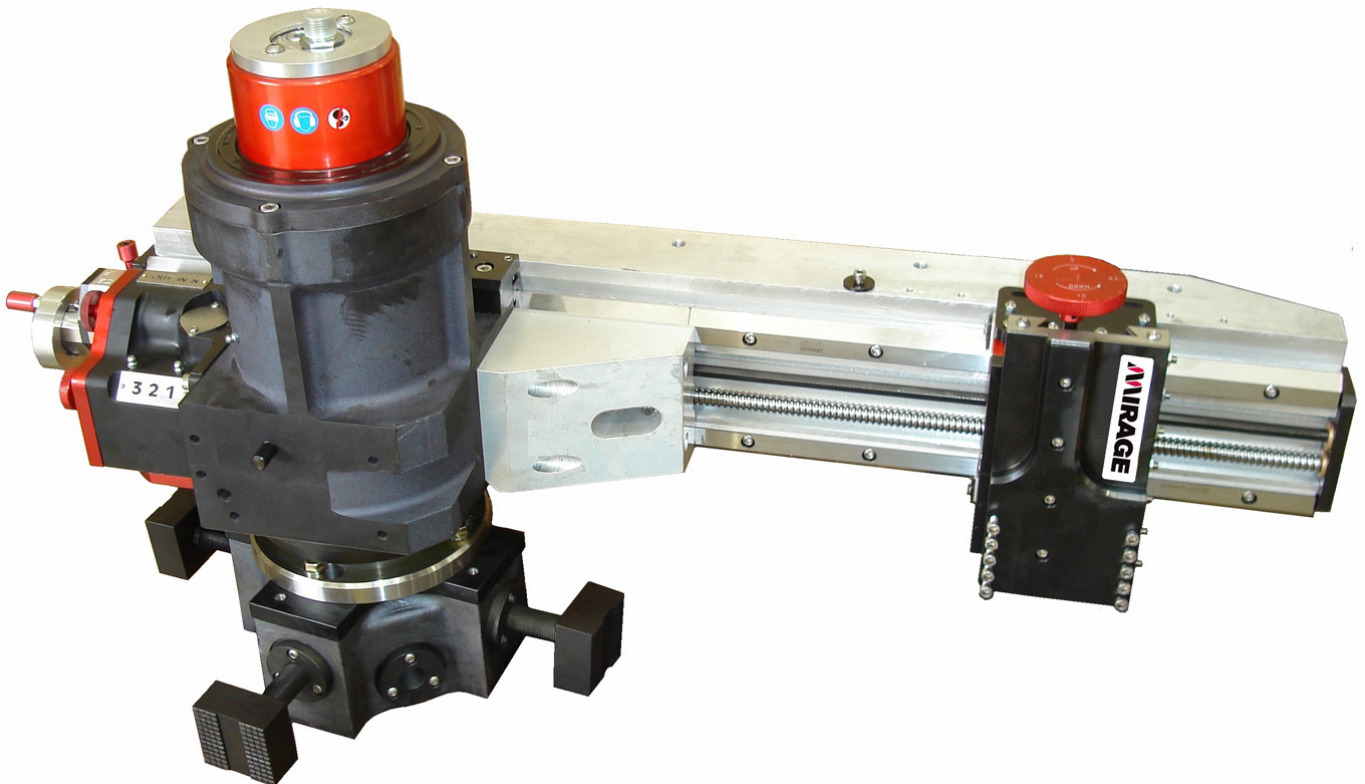


12 – 60" (305 – 1500mm)

An internally mounted flange facing machine for all types of flange facing, seal groove machining, weld preparation and counter boring.



- Latest linear technology – delivering a robust, reliable operation
- Swivel powered tool post – for a wider range of machining operations
- Quick set adjustable clamping jaws, minimising set up time
- Three speed continuous feed gearbox, for gramophone finish (ASME Standard)

The MM1500i machine is supplied complete with toolkit including tools and inserts, air filter lubricator and hose connection, all required mounting bases and extensions, storage / shipping box, CE certificate, packing list and manual.

## Technical Details

Minimum Facing Diameter	305mm	12"
Maximum Facing Diameter	1525mm	60"
Minimum Clamping Diameter	290mm	11.4"
Maximum Clamping Diameter	1400mm	55"
Tool Post Travel	102mm	4"
R.P.M	Min: 0	Max: 22
Drive – Pneumatic @ 90 P.S.I (6 bar)	3.0 Kw	4.0 Hp
Air Consumption / Supply Required	2.69 m <sup>3</sup> /min	98 S.C.F.M

## Feed Rates

### Facing Feed Rates (3 off In/Out)

Direction	Gear	mm/rev	inches/rev	grooves per cm	grooves per inch
Out	1	0.130	0.005	76	195
	2	0.203	0.008	49	125
	3	0.494	0.019	20	51
In	1	0.155	0.006	65	164
	2	0.241	0.009	41	105
	3	0.588	0.023	17	43

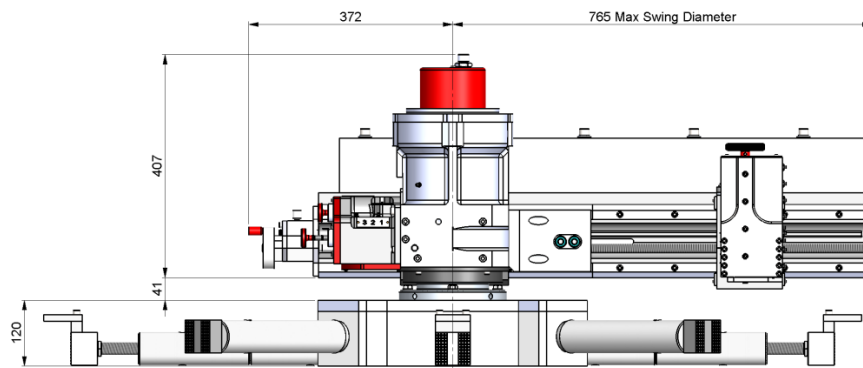
	mm/rev	inches/rev
Boring Feed Rates (3 off Up/Down)	0.05 – 0.10 – 0.20	0.002 – 0.004 – 0.008

## Weights

Machine Weight (including arm)	412kg	906lbs
Independent Base Weight		
Shipping Weight	498kg	1096lbs

## Shipping Dimensions

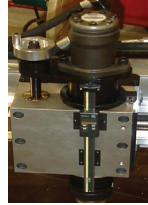
Length		Width		Height	
mm	inches	mm	inches	mm	inches
1230	48	820	32	830	33



## Optional Accessories



**RTJM1500**  
RTJ Measuring Kit



**MM1500i-10**  
Hydraulic Orbital Milling Kit



**MM1500i-SK**  
2 years Recommended Spares Kit



**MM1000i-22**  
Heat Exchanger Back Facing Kit



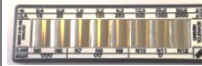
**MM1000i-7**  
Heat Exchanger Mounting Plate Kit



**PP1**  
11 KW 3 Phase Power Pack - 56  
L.P.M up to 100 BAR



**RBC0130**  
Surface Comparator – Multi  
Discipline



**RBC0120**  
Surface Comparator

**MM1000i-14**  
Hydraulic Drive Conversion Kit